

## BEST PRACTICES

- Flashings:** Ensure the roof flashing, water table flashing, window and door, and other penetration flashings are in place and lapped so as to enable moisture to drain down and to the exterior. Note: The successful installation of flashing requires planning before installing roofing or siding. Scheduling and sequencing are an important factor in having flashings available on site at the correct time. James Hardie does not recommend the use of mill finished, raw aluminum flashing, or any other product that may bleed or react with cementitious substrates. Painted or coated aluminum flashings are recommended.

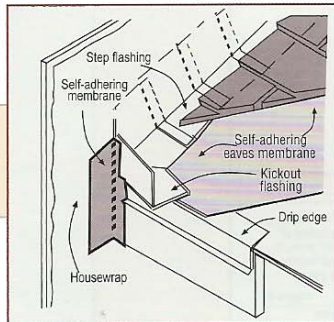


FIGURE 10

### KICKOUT FLASHING

Because of the volume of water that can pour down a sloped roof, one of the most critical flashing details occurs where a roof intersects a sidewall. The roof should be flashed with step flashing. Where the roof terminates, install a kickout to deflect water away from the siding (figure 10).

It is best to install a full rubberized asphalt flashing on the wall before the subfascia and trim boards are nailed in place, and then come back to install the kickout.

*Kickout Flashing - To prevent water from dumping behind the siding at the end of a roof intersection, bend a small "kickout" from metal flashing to divert water running down the roof away from the siding.*

### GUTTERS

Where gutters are installed, ensure they do not terminate against siding or trim. A 1" clearance between the siding and the gutter end-cap is recommended. Install kickout flashings such that they divert water into the gutters.

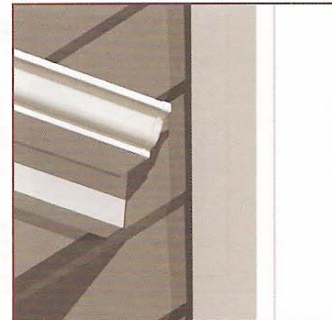


FIGURE 11

### PENETRATIONS

Where penetrations (e.g. dryer vents, hose bibs) are planned for or previously installed in the wall, provide a block of HLD® or XLD® trim around the vent as shown in figures 12 & 13. If necessary, weather-cut the trim to install around an existing vent (Figures 14). Install a flashing over the top of the HLD or XLD trim.



FIGURE 12

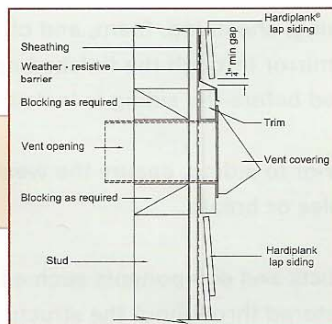


FIGURE 13

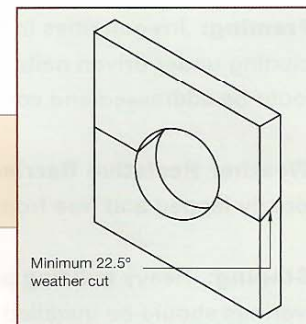


FIGURE 14

The illustration (Figure 10) was reprinted with permission of THE JOURNAL OF LIGHT CONSTRUCTION. For subscription information, call (800) - 375-5981 or visit [www.jlconline.com](http://www.jlconline.com).